



# APPLICATION NOTE

## APP #107

### Revision History

Date	Author	Revision	Description
9-01-15		DEW	Setup App

# McQuay Screw (W/STEP SLIDE) Applied to MCS MICROPROCESSOR CONTROLLER

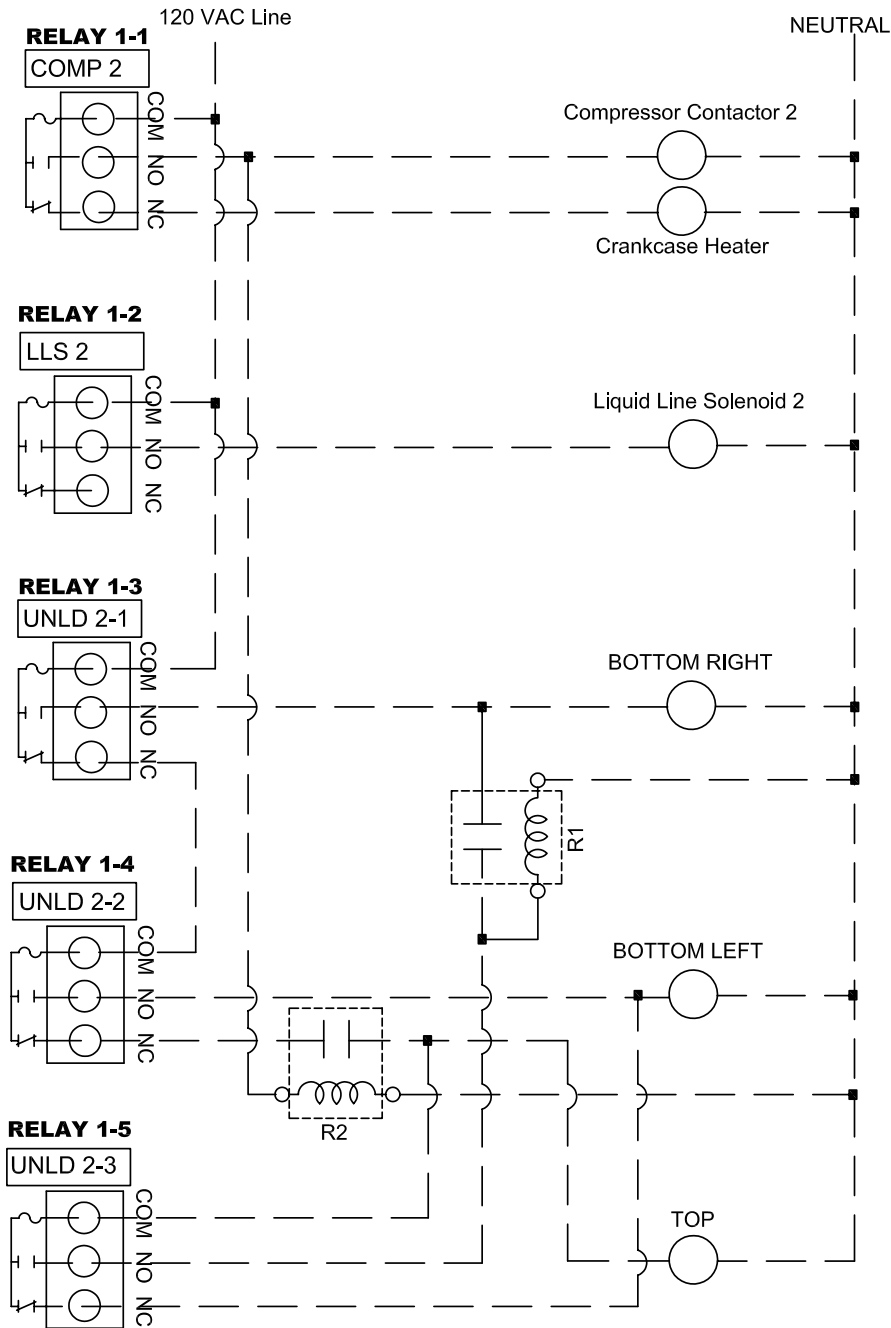
Any questions regarding this release, contact:  
[support@mcscontrols.com](mailto:support@mcscontrols.com)

---

**Micro Control Systems, Inc.** 5580 Enterprise Parkway Fort Myers, Florida 33905  
(239)694-0089 FAX: (239)694-0031 [www.mcscontrols.com](http://www.mcscontrols.com)

Information contained in this document has been prepared by Micro Control Systems, Inc. and is copyright © protected 2015. Copying or distributing this document is prohibited unless expressly approved by MCS.

# McQUAY SCREW (W/STEP SLIDE) APPLIED TO MCS MICROPROCESSOR CONTROLLER



## McQuay Screw Step Capacity Staging

	25%	50%	75%	100%
TOP SOL.-[FEED]	OFF	OFF	ON	ON
BOT. RIGHT SOL.-[FEED]	ON	OFF	ON	OFF
BOT. LEFT SOL.-[VENT]	OFF	ON	OFF	ON

MICRO CONTROL SYSTEMS Inc.	
Date:	08/28/09 Page 1 of 1
Drawn By:	B. Lai
Revision:	A
Drawing Name:	MCS Micro/McQuay